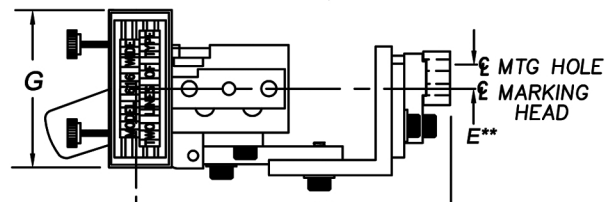
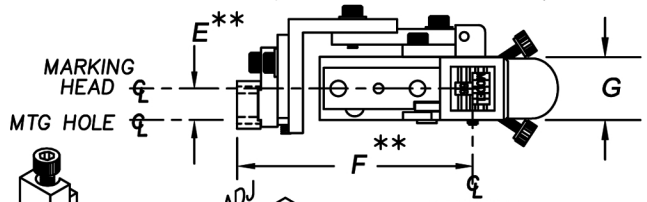
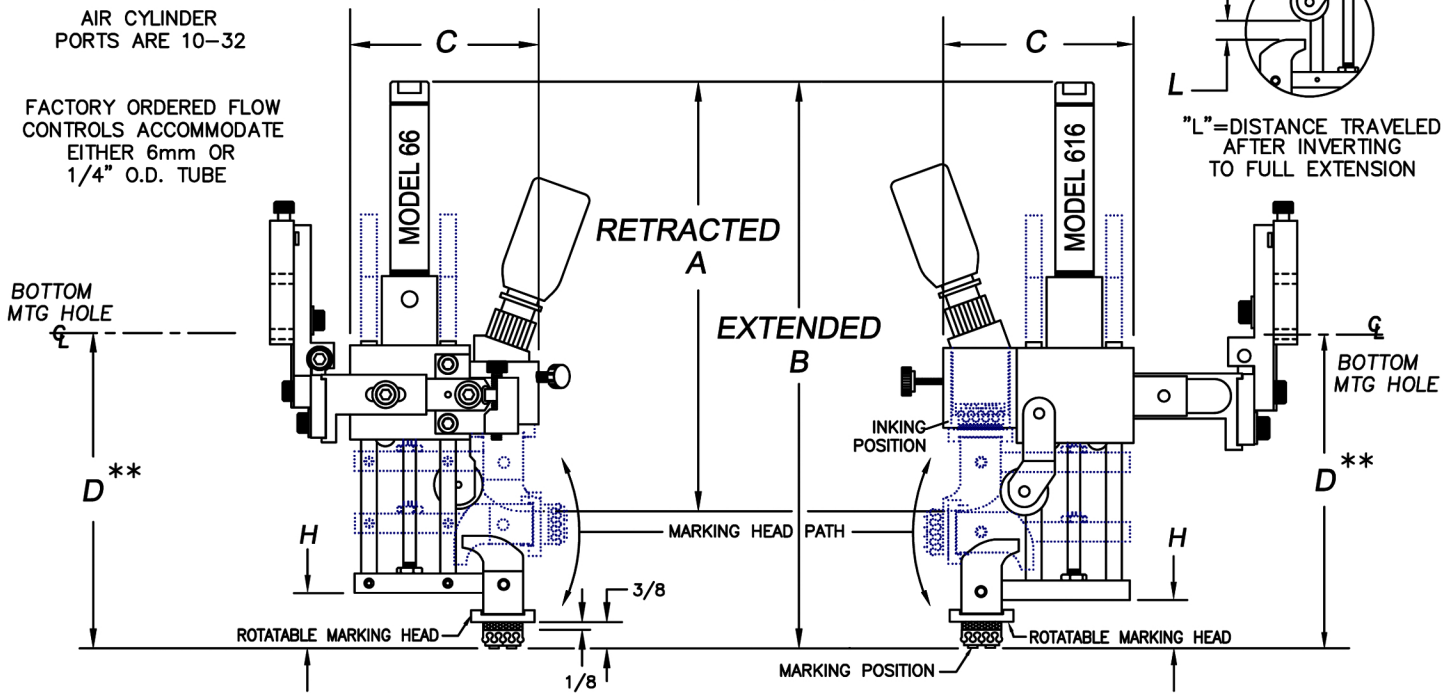
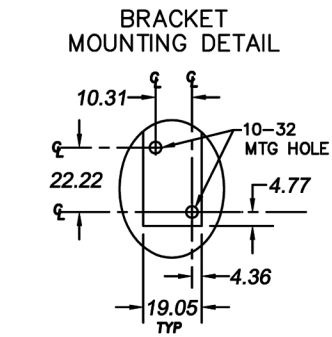
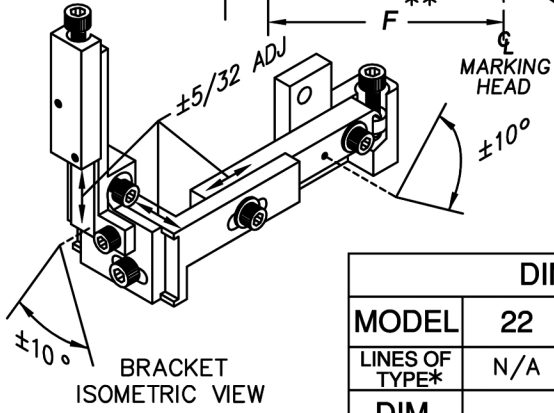


SIDE VIEWS



BOTTOM VIEWS



MODEL 66 & 616 SHOWN ABOVE FOR ILLUSTRATIVE PURPOSES

REFER TO DIRECT MOUNT DRAWING FOR: DIMENSION -"K"- CENTERLINE OF MARKING HEAD SWIVEL TO BOTTOM OF TYPE.

DIMENSIONAL CHARACTERISTICS (IN MILLIMETERS)									
MODEL	22	28	44	66	88	1010	416	616	816
LINES OF TYPE*	N/A	1	1	2	3	4	1	2	3
DIM.									
A	N/A	N/A	N/A	187.45	187.45	187.45	N/A	187.45	187.45
B	N/A	N/A	N/A	238.25	238.25	238.25	N/A	238.25	238.25
C	N/A	N/A	N/A	76.2	84.07	90.42	N/A	76.2	85.85
D*	N/A	N/A	N/A	127	127	127	N/A	127	127
E	N/A	N/A	N/A	7.87	4.83	1.52	N/A	4.83	1.52
F	N/A	N/A	N/A	95.25	98.55	101.6	N/A	114.3	118.87
G	N/A	N/A	N/A	25.4	35.05	41.15	N/A	63.5	63.5
H	N/A	N/A	N/A	20.57	20.57	20.57	N/A	20.57	20.57
L	N/A	N/A	N/A	12.70	12.70	12.70	N/A	12.70	12.70

NOTE: ALL DIMENSIONS ARE NOMINAL AND SUBJECT TO STANDARD MANUFACTURING/ASSEMBLY TOLERANCES * ASSUMES TWO TIE KNOTS RUBBER TYPE UP TO 3/16" CHARACTER HEIGHT ** DIMENSION IS NOMINAL TO CENTER OF ADJUSTMENT RANGE FOR EACH AXIS