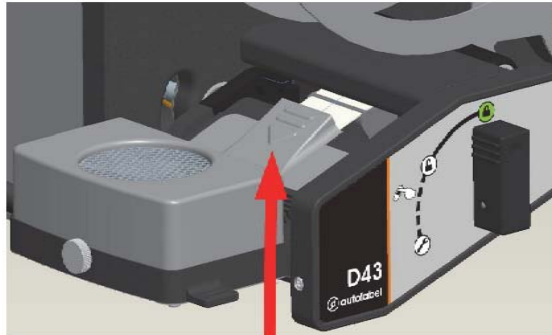
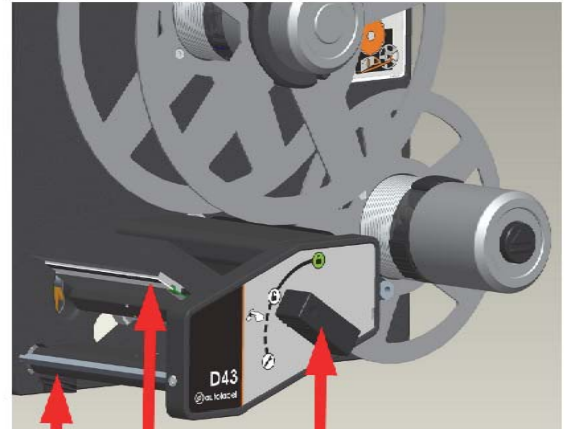


# 4 Maintenance

This chapter describes how the print and apply system must be maintained for proper operation. Please refer to this drawing when reading the sections below:



(1)



(2)

(3)

(4)

Definition of the drawing:

1. Print Head Cover
2. Print Roll
3. Print Head
4. Printhead Handle

## 4.1 Cleaning the Print Head

The Print Head shall be cleaned approximately once per week depending on the environment of the print and apply system. The Print Head will print with a lower quality when dirty, and it will also deteriorate faster if there is label residue stuck to the head which can cause excessive heating of the thermal dots in the head.

To clean the Print Head, open the Printhead Handle. The Print Head is now accessible for cleaning. It is best cleaned with isopropyl alcohol (also known as isopropanol).

The Print Head can also easily be removed from the machine for offline cleaning, see section 4.3 for details.

## 4.2 Cleaning the Print Roll

The Print Roll shall be cleaned approximately once per week depending on the environment the print and apply system is placed in. The roll has a lower friction when dirty, which affects the printout, print quality, and possibly the application. It can also increase the wear and tear of the print roll, leading to a shorter life span.

To clean the Print Roll, open the Printhead Handle. The Print Roll is now accessible for cleaning. It is best cleaned with soap and water, but isopropyl alcohol (also known as isopropanol) can also be used. The Print Roll can also easily be removed from the machine for offline cleaning, see section 4.4 for details.

## 4.3 Changing the Print Head

The Print Head is a replaceable part that has a life of up to 150 km in a clean environment. To maximize the life time, perform regular cleaning of the print head as described in point 4.1 above.

When the Print Head is worn out it will have one or more thin white stripes along the print direction where the black print marks are missing on the label.

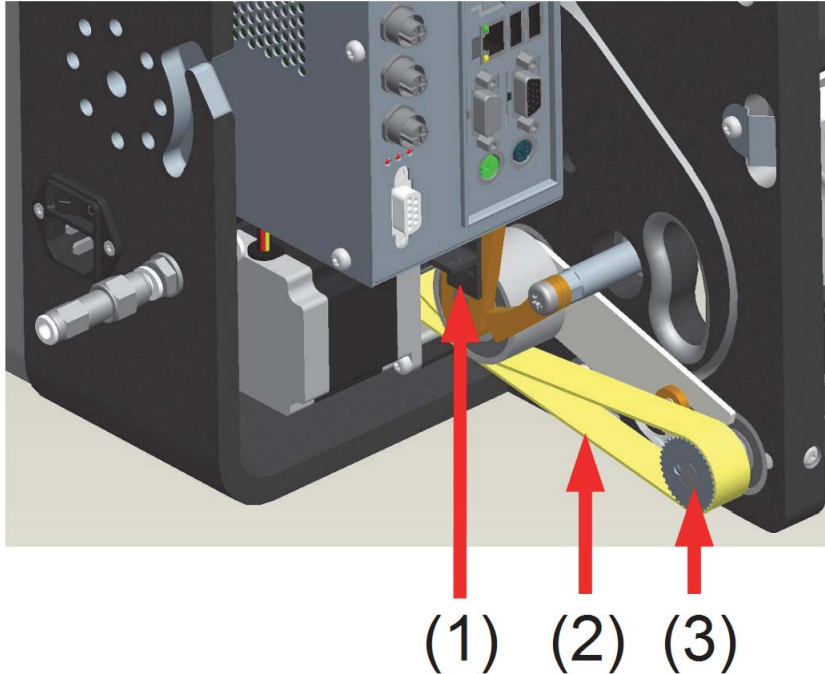
Follow these steps to change the Print Head:

1. Remove the Print Head Cover by grabbing the ribbed part and pulling it away from the machine.
2. Disconnect the two cables that are attached to the Print Head. The machine can be left powered on during this operation.
3. Move the Printhead Handle to the open position.
4. Disengage the Print Head by pulling it from the machine. No tools are needed since it is only attached with a magnet.
5. Install a new Print Head. It should snap into place when it is in the correct position.
6. Place the Printhead Handle in the closed position. The machine will calibrate the media sensor and feed the label paper to the starting position.
7. Connect the two cables to the Print Head.
8. Snap the Print Head Cover into place.

## 4.4 Changing the Print Roll and Belt

The Print Roll is a replaceable part. It has a life of up to 600 km or 2 years in a clean environment. The Belt should be replaced at the same time as the Print Roll. To maximize the life time, perform regular cleaning of the print roll as described in point 4.2 above.

Refer to this diagram during the operation:



Definition of the drawing:

1. Service Lever
2. Belt
3. Print Roll

**Follow these steps to change the Print Roll and Belt:**

1. Remove the large front cover on the right of the machine. It is at the same end as the Print Roll. It shall be pulled from the machine, and it is only attached by friction. There are grooved surfaces for better traction.
2. Near the Belt there is a small black Service Lever (part 1 above) that must be pushed to the end position at the same time as the Printhead Handle is moved to the service position (marked by a wrench on the front of the machine).
3. Remove the Belt from the geared Print Roll wheel.
4. Pull out the Print Roll.
5. Remove the Belt from the geared motor wheel.
6. Place the new Belt around the geared motor wheel. Check that the Belt is not on top of the motor wheel side walls.
7. Push in the new Print Roll.
8. Place the Belt around of the geared Print Roll wheel.
9. Move the Printhead Handle in the closed position.
- WARNING: The motor will start to turn automatically! Keep away from moving parts!**
10. Check that the Belt moves smoothly during the adjustment cycle.
11. Push the front cover back onto the machine.