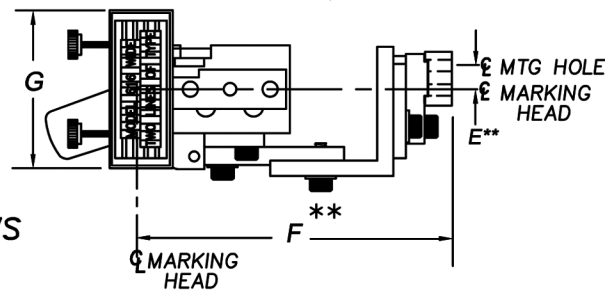
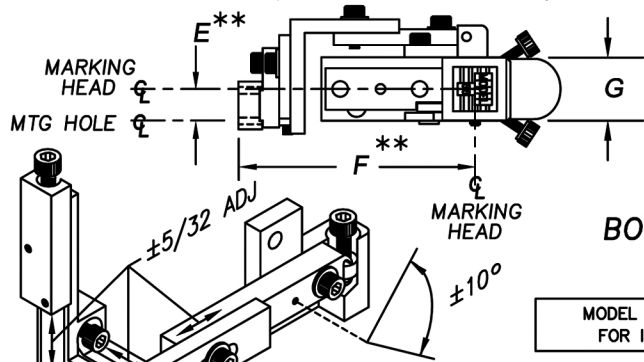
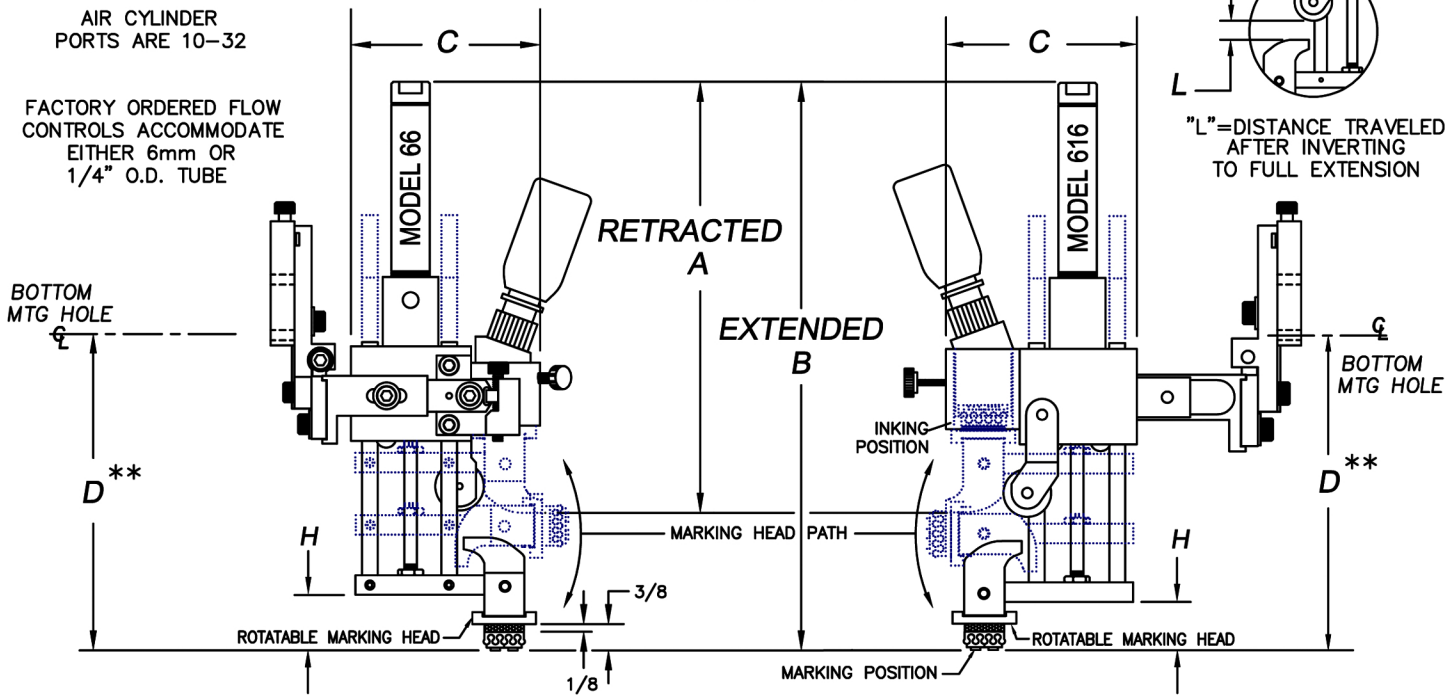
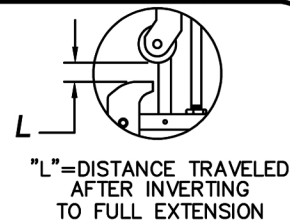


## SIDE VIEWS

AIR CYLINDER  
PORTS ARE 10-32

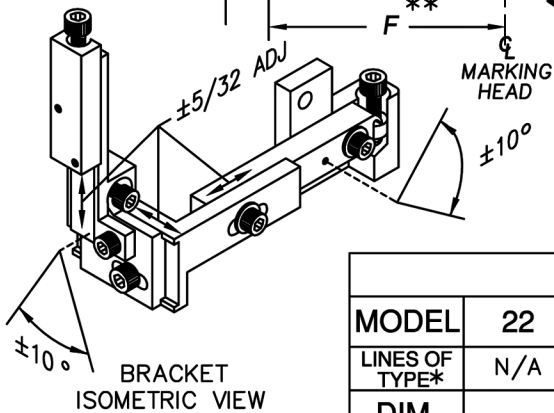
FACTORY ORDERED FLOW  
CONTROLS ACCOMMODATE  
EITHER 6mm OR  
1/4" O.D. TUBE



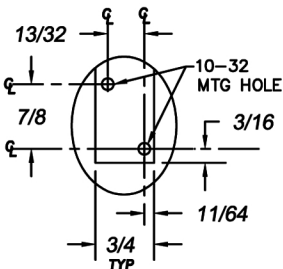
## BOTTOM VIEWS

MODEL 66 & 616 SHOWN ABOVE  
FOR ILLUSTRATIVE PURPOSES

REFER TO DIRECT MOUNT DRAWING FOR:  
DIMENSION -"K"- CENTERLINE OF MARKING  
HEAD SWIVEL TO BOTTOM OF TYPE.



### BRACKET MOUNTING DETAIL



## DIMENSIONAL CHARACTERISTICS (IN INCHES)

MODEL	22	28	44	66	88	1010	416	616	816
LINES OF TYPE*	N/A	1	1	2	3	4	1	2	3
DIM.									
A	N/A	N/A	N/A	7.38	7.38	7.38	N/A	7.38	7.38
B	N/A	N/A	N/A	9.38	9.38	9.38	N/A	9.38	9.38
C	N/A	N/A	N/A	3.0	3.31	3.56	N/A	3.0	3.38
D*	N/A	N/A	N/A	5.0	5.0	5.0	N/A	5.0	5.0
E	N/A	N/A	N/A	.31	.19	.06	N/A	.19	.06
F	N/A	N/A	N/A	3.75	3.88	4.0	N/A	4.50	4.68
G	N/A	N/A	N/A	1.0	1.38	1.62	N/A	2.50	2.50
H	N/A	N/A	N/A	.81	.81	.81	N/A	.81	.81
L	N/A	N/A	N/A	.50	.50	.50	N/A	.50	.50

**NOTE:**

ALL DIMENSIONS ARE NOMINAL AND SUBJECT TO STANDARD MANUFACTURING/ASSEMBLY TOLERANCES \* ASSUMES TWO TIE KNOTS RUBBER TYPE UP TO 3/16" CHARACTER HEIGHT \*\* DIMENSION IS NOMINAL TO CENTER OF ADJUSTMENT RANGE FOR EACH AXIS