

## Ultrasonic photocell

### Usage

Using label materials showing optical characteristics (e.g. transparent/pre-printed labels, transparent liner) can lead to restrictions regarding the reliable label recognition on the transfer ribbon. The optional ultrasonic photocell scans the label not optically but with ultrasonic. The optical characteristics of the label material are no longer relevant, the ultrasonic sensor recognize different label thicknesses of liner and label.

### Supported printing systems

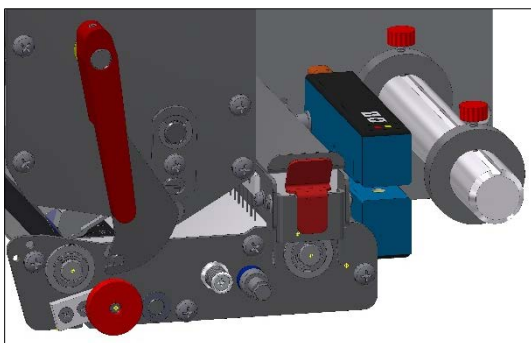
The option ultrasonic photocell is available with the following printing systems:

- SPE
- Spectra/Spectra II
- SPX II
- Vita II

On request the realization for further printing systems can be verified.

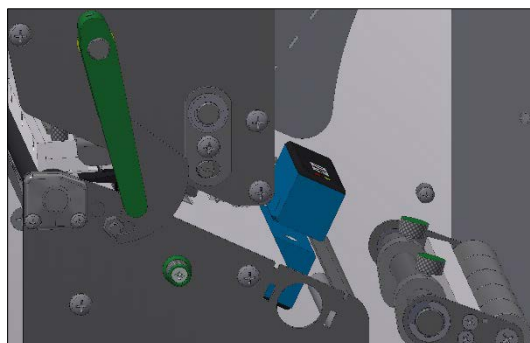
### Installation position

#### SPE



Version for Flat-Type printer accordingly

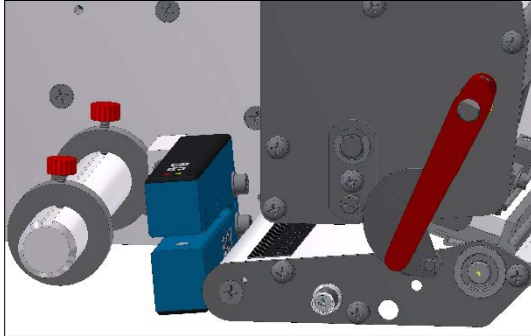
#### Spectra/Spectra II



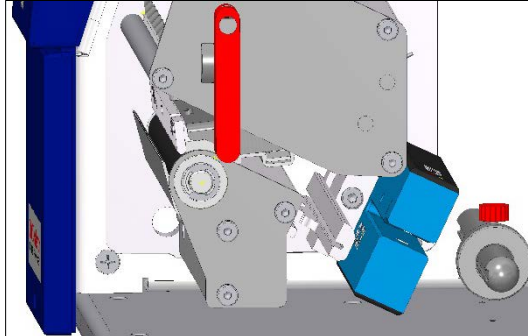
Version for Corner-Type printer accordingly



**SPX/SPX II**



**Vita II**



## Restriction

Due to the mechanical conditions, the following features are to be considered:

- A subsequent installation of the ultrasonic photocell is not possible with all printing systems.
- Spectra / Spectra II: The ultrasonic photocell is available only with printers without ribbon saving feature.
- SPE, SPX II and Vita II: The mounting of ultrasonic photocell is effected on top, i.e. the maximum passage width for the label material is reduced by 23.5 mm.

## Used ultrasonic photocells

Carl Valentin relies on the technology of SICK, a world-wide leading manufacturer of sensors for factory automation, logistic automation and process automation. These sensors are optimally integrated into Valentin printing systems and offer a maximum of functionality.

